

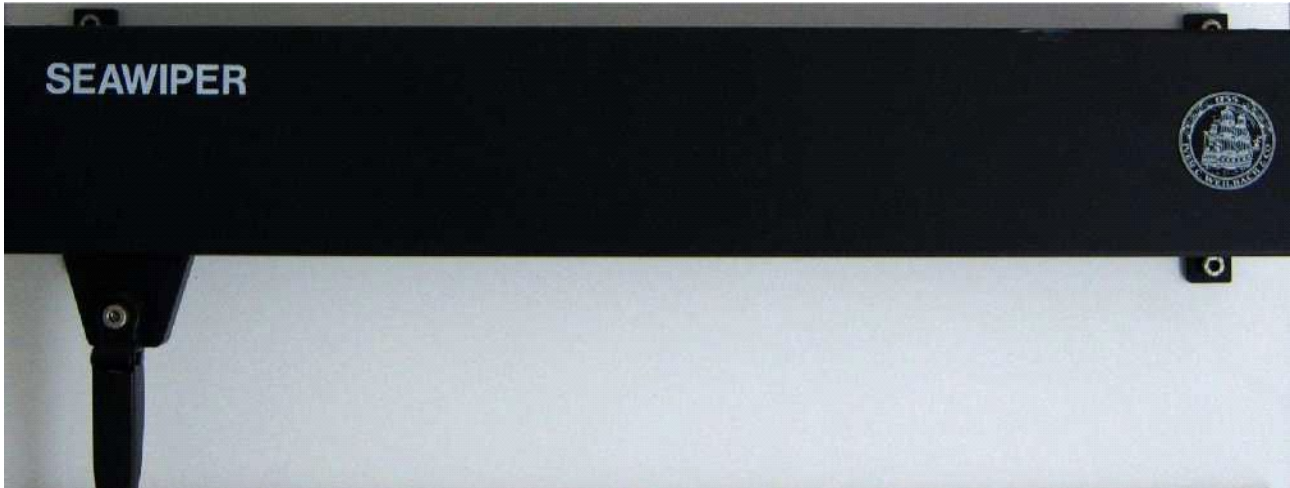


H. Knudsen &
Sønners Eff. ApS



Tlf.: +45 42 63 42 72 · hks@hks-elmotor.dk
www.hks-elmotor.dk

Replacement motor for Weilbach SEAWIPER



Type: 1-2 speed and Variable speed

There have been two types of motor for the Weilbach SEAWIPER. The first of these was a 2 speed motor available in 24VDC and 220VAC versions.



A control box or a control panel could be ordered for this motor.

This motor has now been discontinued, but it can still be refurbished in our workshops.

The second motor, a variable speed motor, was supplied as either 24VDC or 220VDC together with associated controls.



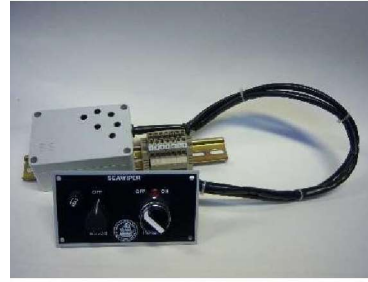
H. Knudsen &
Sønners Eff. ApS



Tlf.: +45 42 63 42 72 · hks@hks-elmotor.dk
www.hks-elmotor.dk



Motor var. speed 60W



Old motor control var. speed

This motor has also been discontinued.

Replacement motor for SEAWIPER 24VDC 102W

As an alternative to these two motors, H. Knudsen og Sønners Eff. ApS now offer the following motor instead.



This motor is a standard CROUZET motor with an original SEAWIPER gearbox to allow it to work with a Weilbach SEAWIPER.

The motor itself is 24V DC, and it can be regulated in terms of speed by means of a motor control/variable voltage supply.

Should the motor be required to replace a 220V AC/DC motor, a transformer can also be supplied.

It is also possible to buy a control panel or a control box, as well as a motor control to regulate motor speed.



H. Knudsen &
Sønners Eftf. ApS



Tlf.: +45 42 63 42 72 · hks@hks-elmotor.dk
www.hks-elmotor.dk



24VDC control panel for 24VDC motor and 24V heating.



230AC/DC control panel for 24VDC motor and 220V heating.

With the 230V AC/DC, it is possible to connect two SEAWIPERs to the same transformer, i.e. if you have two SEAWIPERs, you can use one transformer, but you will still require two control panels. (One panel/box per motor)

It is also possible to choose a power supply and/or motor control according to your own requirements.

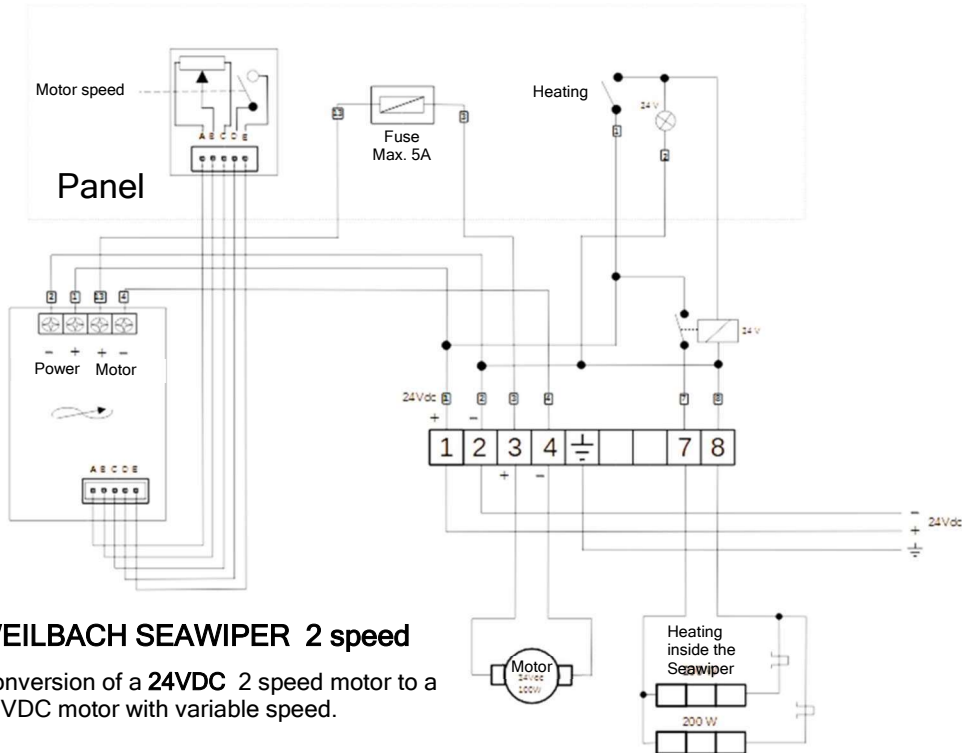
Please note that if a SEAWIPER is supplied as a 220V version, heating elements must still be supplied with 220V, even if the motor is changed to 24VDC.

Motor data:

Supply voltage:	24VDC
Type:	With Carbon Brushes
Nominal power:	102 W
Output speed with gear:	220 RPM
Rated current:	17 .2 Amp
Tightness:	IP 65
Motor certification:	UL - CE - ROHS
	Built-in EMC filter class B



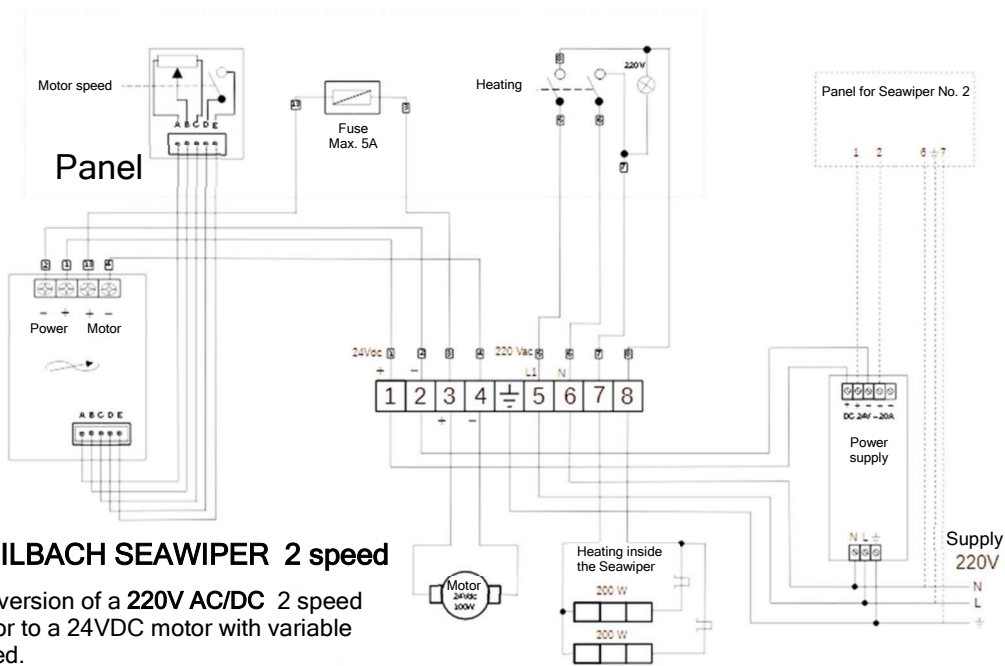
Wiring diagram for conversion of SEAWIPER 24VDC.



WEILBACH SEAWIPER 2 speed

Conversion of a 24VDC 2 speed motor to a 24VDC motor with variable speed.

Wiring diagram for conversion of SEAWIPER 230VAC/DC.



WEILBACH SEAWIPER 2 speed

Conversion of a 220V AC/DC 2 speed motor to a 24VDC motor with variable speed.



H. Knudsen &
Sønners Eftf. ApS



Tlf.: +45 42 63 42 72 · hks@hks-elmotor.dk
www.hks-elmotor.dk

Control panel. (new version)



Rotary knob for setting
motor speed, with on/off.

Fuse for motor, fine
fuse / slow max. 5
Amp

Rotary switch for heating
and control lamp that lights
when heating is on.



H. Knudsen &
Sønners Eftf. ApS



Tlf.: +45 42 63 42 72 · hks@hks-elmotor.dk
www.hks-elmotor.dk

Part:



Gear motor for Weilbach
SEAWIPER 24V DC / 102 W

Item no. SEWP01



Control panel for 24V DC motor,
input 230V AC/DC and 220V heater.

Item no. SEWP02



Control panel for 24V DC motor,
input 24V DC and 220V heater.

Item no. SEWP03



Control panel for 24V DC motor, input
24V DC with 24V heater.

Item no. SEWP04



Power supply input 230V AC/DC -
out 24V DC 20 A for SEAWIPER.

Item no. SEWP05



10 x spare fuses 5 x 20 mm 5A

Item no. SEWP06



H. Knudsen &
Sønners Eftf. ApS



Tlf.: +45 42 63 42 72 · hks@hks-elmotor.dk
www.hks-elmotor.dk



Spare belt for SEAWIPER.

Contact HKS EI-motor.

hks@hks-elmotor.dk or tel.: +45 42 63 42 72

Enquiries about other spare parts for Seawiper should be made to:

H. Knudsen og Sønners Eftf. ApS

Snedkervej 2A - 4600 - DK Køge

Denmark

Tel.: +45 42 63 42 72

Or hks@hks-elmotor.dk